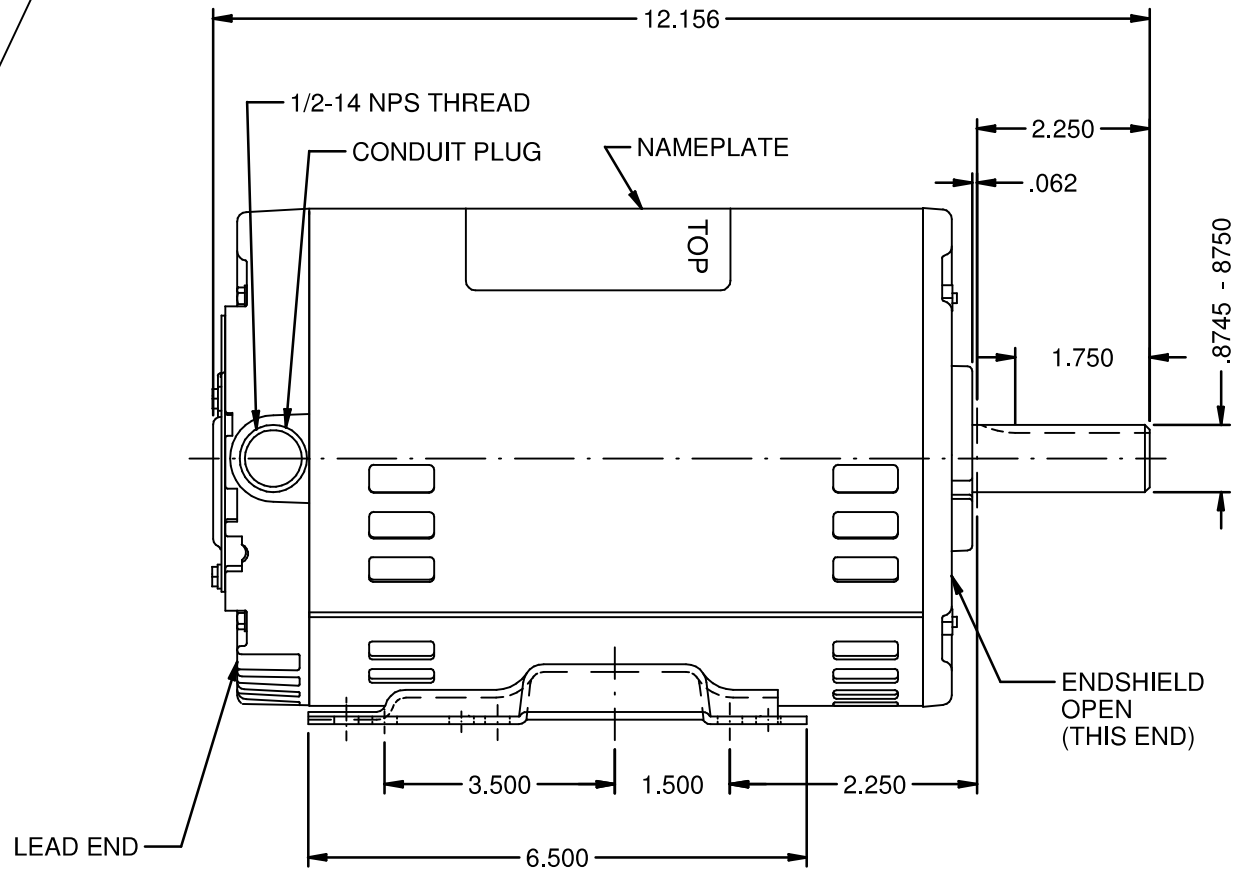
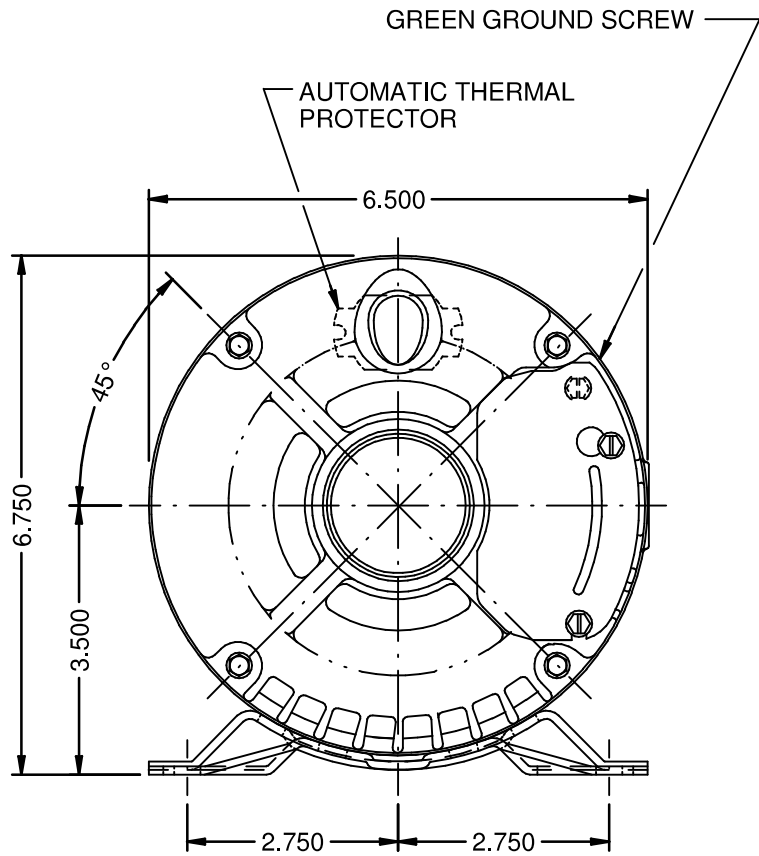




Catalog #: 1088

Model_Number:	P063WNF4794015B
PRODUCT NAME:	2 HP - ODP - 1725
PHASETYPE:	3_POLYPHASE
MOTOR ENCLOSURE:	ODP
HORSEPOWER:	2
KILOWATTS:	1.5
POLES:	4
NUMBER SPEEDS:	1
RPM:	1725
HERTZ:	60
VOLTS PRIMARY:	575 V
VOLTS :	575
FRME :	56
STATOR DIAMETER:	6.3
STACK:	3
MOUNTING:	RIGID
MOTOR TYPE:	FHP
OPPOSITE END BEARING:	6205
SHAFT END BEARING:	6203
AMBIENT:	40
ROTATION:	REVERSIBLE
SERVICE FACTOR:	1.15
SHIPPING WEIGHT:	34
BREAKDOWN TORQUE:	434.7
BREAKDOWN TORQUE UOM:	OZFT
LOCKED ROTOR TORQUE:	292.8
LOCKED ROTOR TORQUE UOM:	OZFT
INSULATION CLASS:	B
KVA CODE LETTER:	L
LOCKED ROTOR AMPS:	16.65
NEMA NOMINAL EFFICIENCY:	86.5
FULL LOAD AMPS PRIMARY:	2.7



3 LEADS NUMBERED 1, 2, & 3 EXTEND
 6.000 +2-0 INTO INTERNAL
 CONDUIT BOX. LEADS STRIPPED .750".

NIDEC MOTOR CORPORATION 11-Oct-12

MODEL	REF	CUSTOMER	HP	VOLTS	AMPS	HZ	RPM	ROTATION	PROTECTOR
P63ZZWNF-4794		WHOLESALE-HAC	2	575	2.7	60	1725	REVERSIBLE	AUTO
									CUSTOMER PN
									1088

SHEET NUMBER	REV	REVISION RECORD FOR: C6408-00
1 OF 1	C	UPDATED "ENGINEER APPROVED" TO B. GAITAN.
REVISION DATE		
11-OCT-12		

INFORMATION DISCLOSED ON THIS DOCUMENT IS CONSIDERED PROPRIETARY AND SHALL NOT BE REPRODUCED OR DISCLOSED WITHOUT WRITTEN CONSENT OF NIDEC MOTOR CORPORATION

NIDEC MOTOR CORPORATION

ISSUED BY	REVIEWED BY	ENGINEER APPROVED	REV. C
E. VICENCIO	M. LARGENT	B. GAITAN	

TITLE	CODE	ITEM NO.	SIZE
ASSEMBLED VIEW	V01	779161	A

Three Phase Commercial Belt-Drive Blower Motor Open Dripproof, Air Over Not Required

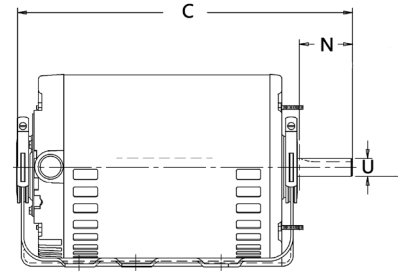


APPLICATIONS:

To meet manufacturer's requirements for belt-drive blowers in commercial air conditioning applications where 3 phase power is required.

FEATURES:

- Automatic Reset Thermal Overload Protector
- Reversible Rotation
- Continuous Duty
- Double Contact Sealed Ball Bearings
- Dual Voltage
- Class B Insulation
- 104°F (40°C) Ambient Rated
- **Discount Symbol: DS-3HAC**



Rigid Base Mount

HP	RPM	Voltage	Catalog Number	List	Bearings	NEMA ^{®†} Frame	Amps	Shaft N	Shaft U	SF	Total C	Ship Wt. (lbs)	Notes	OEM
1	1725	208-230/460	1813P	\$517	Ball	56H	3.1-3.0/1.5	1.9	0.625	1.15	12.4	30	VC	
1 1/2	1725	575	1197	\$383	Ball	56HZ	2.0	2.3	0.875	1.15	12.3	36		
	1725	208-230/460	1814P	\$584	Ball	56H	4.8-4.8/2.4	1.9	0.625	1.15	12.8	34	VC	
	1725	200-230/460	7913VP	\$704	Ball	56HZ	4.8/2.4	2.3	0.875	1.15	12.9	36		
2	1725	208-230/460	1815P	\$637	Ball	56H	6.0-6.2/3.1	1.9	0.625	1.15	12.8	34	VC	
	1725	200-230/460	7914P	\$620	Ball	56HZ	7.6-7.8/3.9	2.3	0.875	1.15	12.3	37		
	1725	575	1088	\$435	Ball	56HZ	2.9	2.3	0.875	1.15	12.2	34		LE
3	1725	200-230/460	7915VP	\$766	Ball	56HZ	9.0-9.2/4.6	2.3	0.875	1.15	12.3	45		
	1725	575	1089	\$669	Ball	56HZ	3.4	2.3	0.875	1.15	13.2	48		

Resilient Mount

HP	RPM	Voltage	Catalog Number	List	Bearings	NEMA ^{®†} Frame	Amps	Shaft N	Shaft U	SF	Total C	Ship Wt. (lbs)	Notes	OEM
1/2	1725	208-230/460	8488	\$501	Ball	56	2.0-1.9/0.95	1.9	0.625	1.25	10.3	20		
3/4	1725	208-230/460	8489	\$550	Ball	56	2.9-2.9/1.5	1.9	0.625	1.25	10.8	22		
1	1725	208-230/460	8498	\$618	Ball	56H	4.3/2.2	1.9	0.625	1.25	11.3	26		
1 1/2	1725	200-230/460	8490P	\$700	Ball	56H	5.2-5.1/2.6	1.9	0.625	1.15	12.8	40		
2	1725	208-230/460	8493P	\$803	Ball	56H	6.1-6.3/3.1	1.9	0.625	1.15	12.8	26		

LE = Lennox^{®†}

Note VC Quick Change Voltage Device